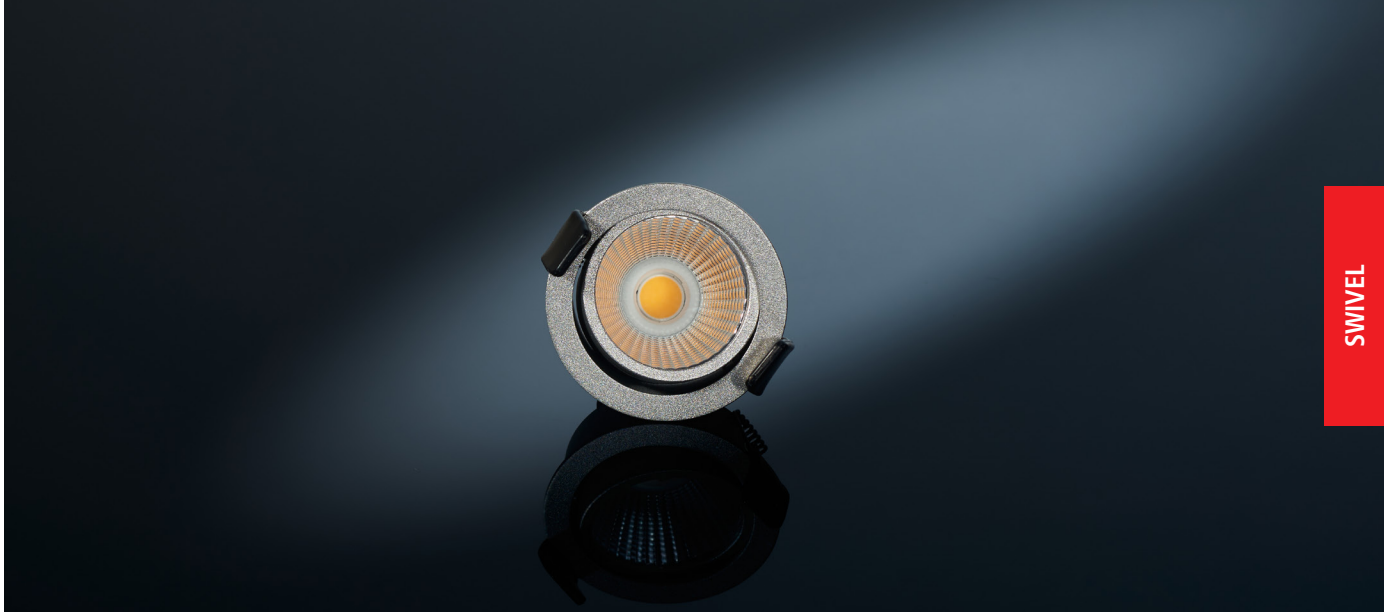


# SR45-LED



## Product Description

### Miniature Swivel LED Spotlight with High Light Output

SR45-LED is a fully directional, high output swivel LED spotlight. When you need to draw attention to something, this solution attracts the human eye in a dramatic way.

## Product Features

- Available color temperatures:
  - 3000 K
  - 4000 K
  - Additional color temperatures (special order)
- Attached 79" connecting cable with a plug-in connector
- 20° swivel and tilt to either side
- Approved for use in closet applications
- Dimmable with optional accessories
- Stainless Steel or White finish
- Constant Current and Constant Voltage versions available
- 60,000 hours usable life
- Excellent CRI >90
- Efficacy: Constant Current 100 lm/W, Constant Voltage 73 lm/W
- Energy-efficient: uses only 5 W
- Recess depth: 1-1/4"

## Product Details





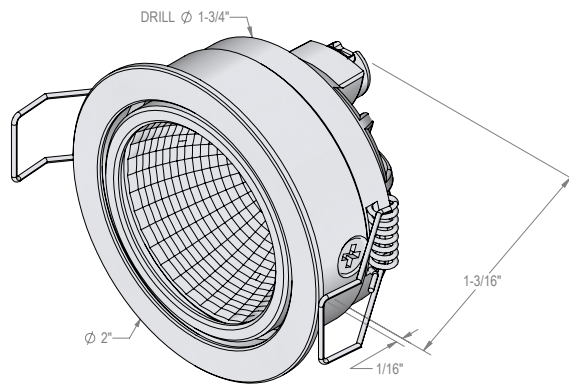
Available Options

Necessary Accessories on Page 74

MODEL	DIAMETER	INPUT	POWER	LIGHT OUTPUT	EFFICACY	CRI	FINISH	PART NO. (3000 K)	PART NO. (4000 K)
SR45-LED	2"	350 mA	5 W	483 Lm	100 lm/W	>90	Stainless Steel	N/A	N/A
SR45-LED	2"	350 mA	5 W	483 Lm	100 lm/W	>90	White	N/A	SR45/WH/4000/90
SR45-LED	2"	24 VDC	5 W	355 Lm	73 lm/W	>90	Stainless Steel	SR45/SS/3000/CV	SR45/SS/4000/CV
SR45-LED	2"	24 VDC	5 W	355 Lm	73 lm/W	>90	White	SR45/WH/3000/CV	SR45/WH/4000/CV

Compatible Drivers on Page 72

Dimensions



# Low Voltage Drivers

## Constant Voltage Drivers

### 24 Vdc Drivers



**Daisy Driver, 30W**  
(Full Specs on Page #94)



**Daisy Driver, 75W**  
(Full Specs on Page #95)



**Daisy Driver, 96W**  
(Full Specs on Page #96)



**Driver, 6W**  
(Full Specs on Page #98)

## Constant Current Drivers

### LED Drivers



**LED Driver, 10W**  
(Full Specs on Page #104)



**LED Driver, 18W Dimmable**  
(Full Specs on Page #105)

# Compatibility

## Constant Voltage Compatible LEDs

---

### SPOT

---

SR45-LED

FR68-LED

Eco78-LED

R55-LED

ER-LED

## Constant Current Compatible LEDs

---

### SPOT

---

SR45-LED

SR68-LED

Big6/2-LED

HO-LED

Eye-LED

# Spot-LED Accessories

## SR45-LED

### Connecting Cables

DESCRIPTION	LENGTH	PART NO.
350mA Power Cable Extension, Black	36"	LEDCC36
350mA Power Cable Extension, Black	72"	LEDCC72
350mA Terminal Block, 3 way	98"	TBLED/B
24V Power Cable Extension, White	39"	KB12LEDCC39/H
24V Power Cable Extension, White	84"	KB12LEDCC84/H
24V Power Cable Extension, White	98"	KB12LEDCC98/H
24V Power Cable Extension, Black	39"	KB12LEDCC39/BL/H
24V Power Cable Extension, Black	39"	KB12LEDCC98/BL/H
24V Power Cable Extension, Black	39"	KB12LEDCC120/BL/H
24V Terminal Block		PS24V/TB
24V Terminal Block, DC plug		PS24V/TB/DC/Y
24V Power Cord locking clip		CLIP/24V/CCPC

### Optional Accessories

DESCRIPTION	PART NO.
Dimming Controller	DIMCONTROL/EURO
Y-Cable adapter	STICKDIM/YCABLE
24V Dimming Module	STICKPSDIM/S
24V Remote Control Dimmer	RCPSDIM/V2
24V Rocker Switch	PS24V/SWITCH/RS/H
24V Rocker Switch, DC plug	PS24V/SWITCH/RS/DC1224/H
24V Occupancy Switch	PS24V/SW/OC
24V Sensor Switch	IRSWITCH/H
24V Sensor Switch, Dimmable	IRSWITCH/H/D

## SR68-LED

### Connecting Cables

FINISH	LENGTH	PART NO.
350mA Power Cable Extension, Black	36"	LEDCC36
350mA Power Cable Extension, Black	72"	LEDCC72
350mA Terminal Block, 3 way	98"	TBLED/B

### Optional Accessories

DESCRIPTION	PART NO.
Dimming Controller	DIMCONTROL/EURO
Y-Cable Adapter	STICKDIM/YCABLE