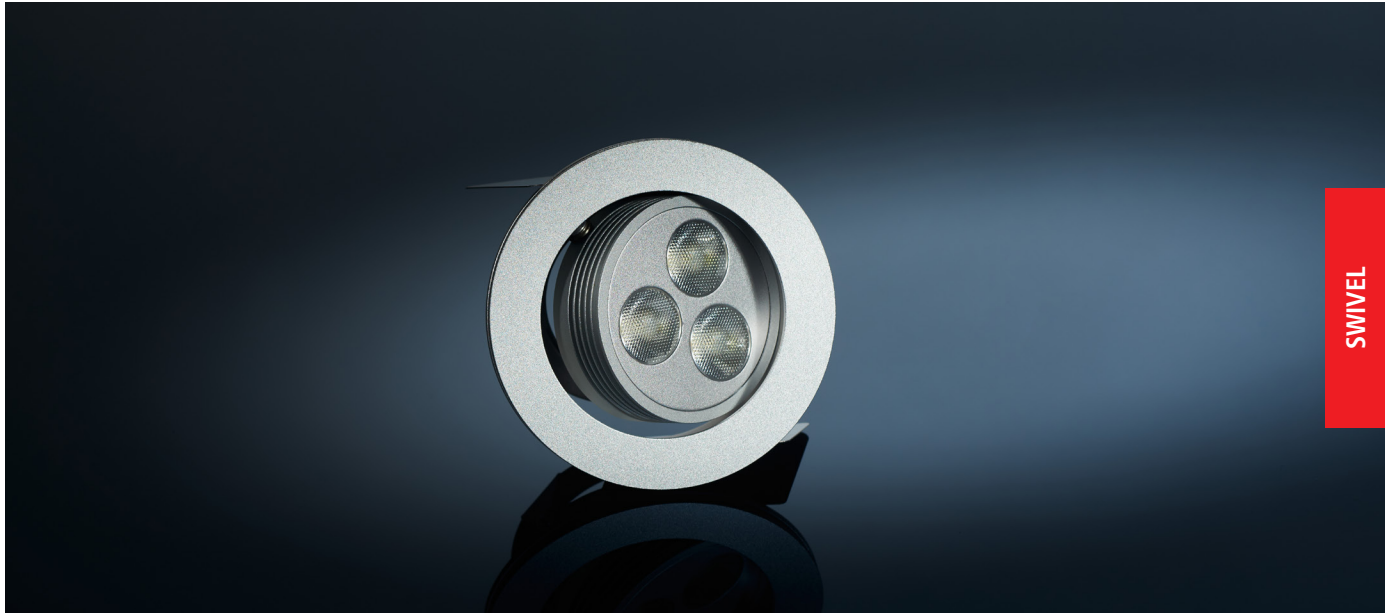


HO-LED



Product Description

High Output Swivel LED Spotlight

HO-LED spotlights are ideal for applications where high levels of directional LED light are desired. HO-LED features 3 x high power, full optic LEDs. HO-LED is perfect for large display cases, soffits, and furniture.

Product Features

- Available color temperatures:
 - 3000 K
 - 5700 K
 - Additional color temperatures (special order)
- Attached 79" connecting cable with a plug-in connector
- Swivel (+/- 20 degrees)
- Approved for use in closet applications
- Dimmable with available accessories
- High quality, Brushed Aluminum housing
- To be used with 350 mA Constant Current Driver
- 50,000 hrs. usable life
- Warm White CRI >90, Cool White CRI >72
- Efficacy: Warm White 112 lm/W, Cool White 91 lm/W
- Energy-efficient: uses only 3.6 W
- Recess depth 1 1/8" non-swivel, 1 1/16" swivel

Product Details





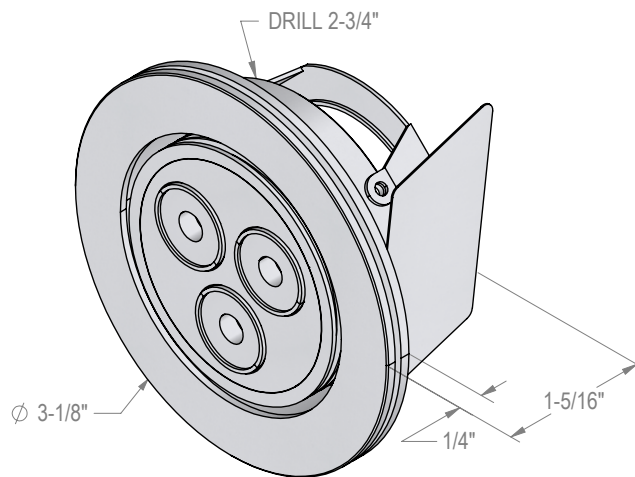
Available Options —

— Necessary Accessories on Page 75

MODEL	DIAMETER	POWER	LIGHT OUTPUT	EFFICACY	CRI	FINISH	PART NO. (3000 K)	PART NO. (5700 K)
HO-LED2 Swivel	3 1/8"	3.6 W	343 Lm	112 lm/W	>72	Brushed Aluminum	HO-LED2/WW	HO-LED2

— Compatible Drivers on Page 72

Dimensions



Low Voltage Drivers

Constant Voltage Drivers

24 Vdc Drivers



Daisy Driver, 30W
(Full Specs on Page #94)



Daisy Driver, 75W
(Full Specs on Page #95)



Daisy Driver, 96W
(Full Specs on Page #96)



Driver, 6W
(Full Specs on Page #98)

Constant Current Drivers

LED Drivers



LED Driver, 10W
(Full Specs on Page #104)



LED Driver, 18W Dimmable
(Full Specs on Page #105)

Compatibility

Constant Voltage Compatible LEDs

SPOT

SR45-LED

FR68-LED

Eco78-LED

R55-LED

ER-LED

Constant Current Compatible LEDs

SPOT

SR45-LED

SR68-LED

Big6/2-LED

HO-LED

Eye-LED

Swivel

Big6/2-LED

Connecting Cables

DESCRIPTION	LENGTH	PART NO.
350mA Power Cable Extension, Black	36"	LEDCC36
350mA Power Cable Extension, Black	72"	LEDCC72

Optional Accessories

DESCRIPTION	PART NO.
Dimming Controller	DIMCONTROL/EURO
Y-Cable Adapter	STICKDIM/YCABLE

HO-LED

Connecting Cables

DESCRIPTION	LENGTH	PART NO.
350mA Power Cable Extension, Black	36"	LEDCC36
350mA Power Cable Extension, Black	72"	LEDCC72
350mA Terminal Block, 3 way	98"	TBLED/B

Optional Accessories

DESCRIPTION	PART NO.
Dimming Controller	DIMCONTROL/EURO
Y-Cable Adapter	STICKDIM/YCABLE